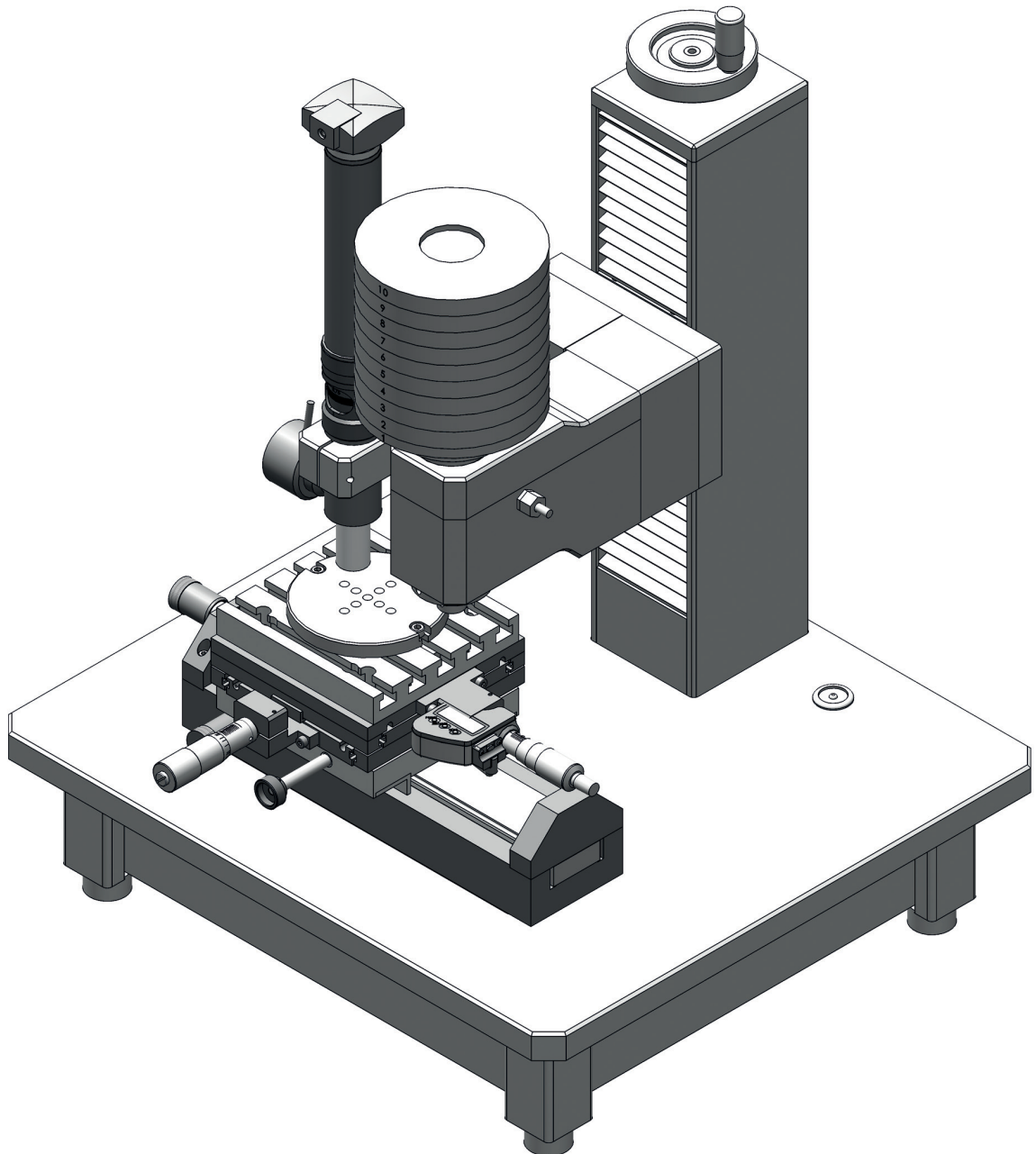


V - Test II Basic

Vickers hardness test



PRODUCT INFORMATION



Product Information



V-Test II Basic

Vickers hardness test according to DIN EN ISO 6507

Standard test stand

- Manually positioned Z-axis on the test stand
- Manually positioned X-axis table
- Magnetic supporting table Ø 100 mm
- Camera ½", black- and- white, digital optics with zoom
- Micro objective 20 times magnification including illumination

Options

- Manual x-y table, 25 x 25 mm closed, up to 10 kg load
Micrometer gauge options with one analogue and one digital or both digital
 - » Analogue micrometer gauge with measuring range: 0 - 25 mm, reading: 0,01
 - » Digital micrometer gauge with measuring range: 0 - 25 mm, reading: 0.001 mm for hardness spreading test including cable
- Pick-up device for round shaped specimen from Ø30 up to Ø50 mm, customization on request
- Centrally clamped bench vice including 1 set of clamping jaws - clamping jaws are exchangeable, hardened and polished
- Standard blocks on request

Options for loading range incl. DAkks/DKD Certificates

- Pick-up bracket for Low Load range for steps of loading levels HV 0,1/0,2/0,3/0,5/1,0/2,0/3,0/5,0/10,0
- Official DAkks/DKD-calibration certificate for loading levels HV 0.1 and HV 1.0 on request
- Pick-up bracket for Micro Hardness Load range for steps of loading levels HV 0,01/0,02/0,05/0,1/0,2/0,3/0,5/1,0/2,0
- Official DAkks/DKD-calibration certificate for loading levels HV 0.2 and HV 1.0 on request
- Hardness Diamond Vickers 136° including DAkks/DKD-calibration certificate

Evaluation Software „Hardsoft“ with Dongel



Compatible operating system WIN XP / Vista / WIN 7

- Evaluation Software Hardsoft including Dongle
- Compatible operation system WIN XP / VISTA / WIN 7
- Suitable for tests according to Vickers, Brinell and Knoop
- CHD (EHT), DS (RHT), NHD (NHT)
- Single- and serial measurements

PC and Monitor

Technical Data

- LxWxH: 450 x 490 x 570 mm, weight: 35 kg